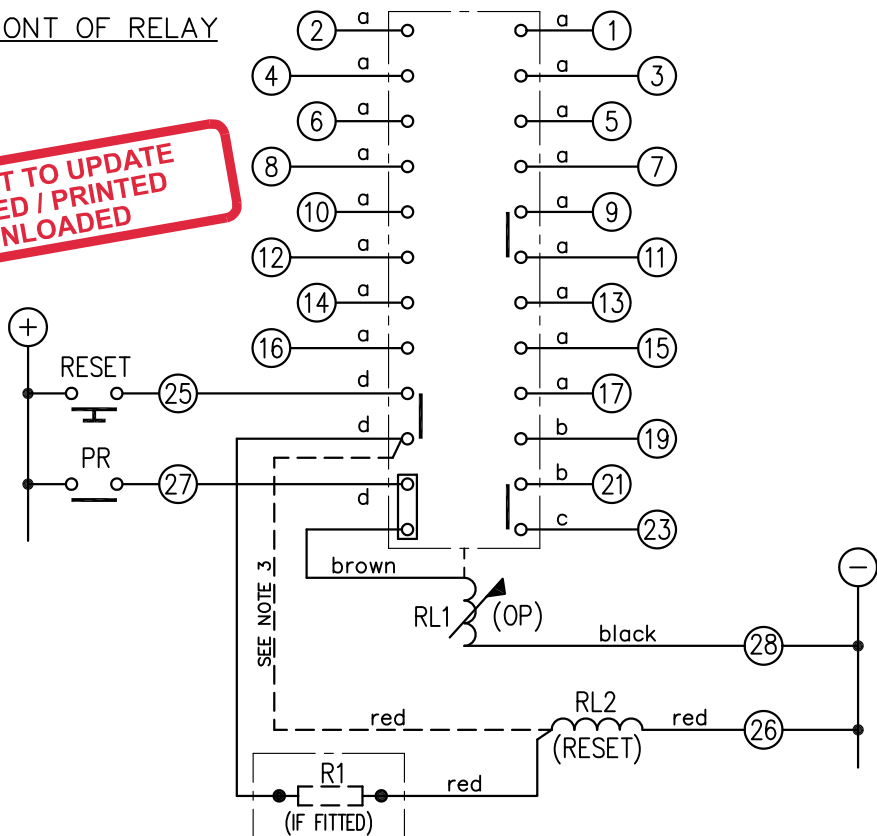


LOOKING ON FRONT OF RELAY

2112W50008

**NOT SUBJECT TO UPDATE
ONCE COPIED / PRINTED
OR DOWNLOADED**



ASSEMBLY WIRES USED		
a	2107B10001	17 OFF
b	2107B10002	2 OFF
c	2107B10003	1 OFF
d	2107D10164	3 OFF

RL2 (RESET) KIT	SOLKIT:6V	SOLKIT:6V	SOLKIT:6V	SOLKIT:12V	SOLKIT:36V	SOLKIT:36V
RL1 (OP) COIL	2112G20013	2112G20014	2112G20016	2112G20017	2112G20020	2112G20023
R1	NIL	1X6R8 2102C15687 W21	1X18R 2102C25180 W22	1X27R 2102C15270 W21	NIL	1X470R 2102C15471 W21
Vdc	24	30	48	60	125	240

KEY	CONTACT CONFIG.	OUTPUT CONTACT PAIR / TERMINAL No.												NOTE:
		1-3	2-4	5-7	6-8	9-11	10-12	13-15	14-16	17-19	18-20	21-23		
⊖⊖ make contact	10M	M	M	M	M	M	M	M	M	M	M	M	M	1. CONTACT CONFIGURATION ABOVE IS REQUIRED FOR RELAY OPERATION. FOR DETAILS OF VARIABLE CONTACT OPTIONS SEE TABLE OPPOSITE.
⊖⊖⊖ break contact	9M 1B	M	B	M	M	M	M	M	M	M	M	M	2. RESISTOR R1 TO BE FITTED ONLY WHEN REQUIRED.	
⊖⊖⊖ c/o contact	8M 2B	B	B	M	M	M	M	M	M	M	M	M	3. DASHED LINE ----SHOWS CONNECTIONS WHEN RESISTORS ARE NOT FITTED.	
⊖⊖ ext. conn	7M 3B	B	B	M	B	M	M	M	M	M	M	M		
⊖⊖⊖ plug bridge	6M 4B	B	B	B	B	M	M	M	M	M	M	M		
⊖⊖⊖ - shorting	5M 5B	B	B	B	B	M	B	M	M	M	M	M		
⊖⊖⊖ metering point	4M 6B	B	B	M	B	M	M	B	B	B	M	M		
⊖⊖⊖ 5Kv barrier	3M 7B	B	B	B	B	M	M	B	B	B	M	M		
⊖⊖⊖ test socket - shorting	2M 8B	B	B	B	B	M	B	B	B	B	M	M		
⊖⊖⊖ plug & socket														

FRAME REFERENCE: E2FAQM.
FRAME TERMINAL BLOCK ASSY: -

ASSEMBLY INSTRUCTIONS: -
TYPICAL ASSEMBLY DRAWING 2995G10032.
AT INDICATED POSITIONS FIT AS FOLLOWS:
T - FIT TRIP ISOLATION CONTACT 2995B10053
S - FIT STANDARD CONTACT 2995B10054
SECURE CONTACTS USING FIXING SCREW 2109F99009.
POSITIONS SHOWN BLANK ARE UNUSED

2	T	T	1
4	T	T	3
6	T	T	5
8	T	T	7
10	T	T	9
12	T	T	11
14	T	T	13
16	T	T	15
18		T	17
20		T	19
22		T	21
24		T	23
26	S	S	25
28	S	S	27

VIEW FROM NUMBERED
SIDE OF BLOCK

OUTER TERMINAL BLOCK ASSY: -

ASSEMBLY INSTRUCTIONS: -
TYPICAL ASSEMBLY DRAWING 2995G10029.
AT INDICATED POSITIONS FIT AS FOLLOWS:
S - FIT STANDARD CONTACT 2995B10051
HC - FIT 'HEAVY CURRENT' KIT 2995G10030
WHERE ⊖⊖⊖ IS SHOWN FIT CT SHORTING KIT 2995G10031
POSITIONS SHOWN BLANK ARE UNUSED.
ALL POSITIONS FIT SCREW 2106F12506.

2	S	S	1
4	S	S	3
6	S	S	5
8	S	S	7
10	S	S	9
12	S	S	11
14	S	S	13
16	S	S	15
18		S	17
20		S	19
22		S	21
24		S	23
26	S	S	25
28	S	S	27

VIEW FROM INSIDE
FACE

Title.			First used on:	
T.B. AND WIRING DIAG. FOR TR131-10 RELAY IN EPSILON E2 CASE.				
Reyrolle Protection Hebburn.			Similar Articles:	
Original Scale.			Supersedes:	
2112W50008			Drg.No.	
DRAWN: A.LAW.			Copyright © 1998 Reyrolle Ltd	
CHECKED:			APPROVED: R.D.WATSON	
DATE: 16/07/02				